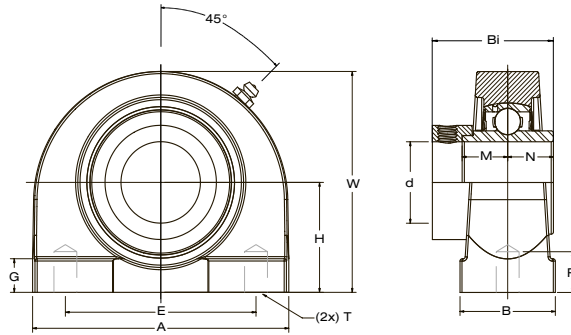
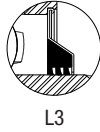
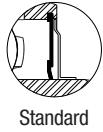


HCTB 200 SERIES

Normal-Duty Tapped Base Pillow Block
Eccentric Lock

TURNER
Mounted Bearings

Available Seal Styles:



Bearing Number	Shaft Dia. d in. mm.	Dimensions in. mm.										Bolt Used (T) in.	Load Rating lbs. kN.		Bearing Insert	Housing Number	Weight lbs. kg.
		H	A	E	B	R	G	W	Bi	N	M		Dynamic C _r	Static C _{0r}			
HCTB 201	12	1.313 33.3	2.88 73.0	2.00 50.8	1.50 38.0	0.50 13.0	0.44 11.0	2.56 65.0	1.7205 43.7	0.6732 17.1	0.6732 17.1	3/8-16	2,883 12.82	1,496 6.65	HC 201	TB 204	1.5 0.7
HCTB 201-8	1/2														HC 201-8		
HCTB 202	15														HC 202		
HCTB 202-10	5/8														HC 202-10		
HCTB 203	17														HC 203		
HCTB 204-12	3/4														HC 204-12		
HCTB 204	20														HC 204		
HCTB 205-14	7/8	1.438 36.5	3.00 76.0	2.00 50.8	1.50 38.0	0.50 13.0	0.47 12.0	2.80 71.0	1.7480 44.4	0.6890 17.5	0.6850 17.4	3/8-16	3,155 14.04	1,810 8.05	HC 205-14	TB 205	1.8 0.8
HCTB 205-15	15/16														HC 205-15		
HCTB 205	25														HC 205		
HCTB 205-16	1														HC 205-16		
HCTB 206-17	1 1/16	1.688 42.9	4.00 102.0	3.00 76.2	1.50 38.0	0.63 16.0	0.47 12.0	3.38 86.0	1.9055 48.4	0.7205 18.3	0.7165 18.2	7/16-14	4,377 19.47	2,569 11.43	HC 206-17	TB 206	2.9 1.3
HCTB 206-18	1 1/8														HC 206-18		
HCTB 206	30														HC 206		
HCTB 206-19	1 3/16														HC 206-19		
HCTB 206-20	1 1/4														HC 206-20		
HCTB 207-20	1 1/4	1.875 47.6	4.25 108.0	3.25 82.6	1.88 48.0	0.75 19.0	0.50 13.0	3.75 95.0	2.0118 51.1	0.7402 18.8	0.7402 18.8	1/2-13	5,775 25.69	3,497 15.56	HC 207-20	TB 207	4.2 1.9
HCTB 207-21	1 5/16														HC 207-21		
HCTB 207-22	1 3/8														HC 207-22		
HCTB 207	35														HC 207		
HCTB 207-23	1 7/16														HC 207-23		
HCTB 208-24	1 1/2	1.938 49.2	4.63 117.0	3.50 88.9	1.88 48.0	0.75 19.0	0.50 13.0	3.94 100.0	2.2165 56.3	0.8425 21.4	0.8425 21.4	1/2-13	6,634 29.51	4,079 18.14	HC 208-24	TB 208	5.3 2.4
HCTB 208-25	1 9/16														HC 208-25		
HCTB 208	40														HC 208		
HCTB 209-26	1 5/8	2.125 54.0	5.00 127.0	3.75 95.3	2.00 51.0	0.79 20.0	0.55 14.0	4.25 108.0	2.2165 56.3	0.8425 21.4	0.8425 21.4	1/2-13	7,160 31.85	4,676 20.80	HC 9-26	TB 209	5.7 2.6
HCTB 209-27	1 11/16														HC 209-27		
HCTB 209-28	1 3/4														HC 209-28		
HCTB 209	45														HC 209		
HCTB 210-30	1 7/8	2.250 57.2	5.51 140.0	4.00 101.6	2.00 51.0	0.88 22.0	0.55 14.0	4.63 117.0	2.4685 62.7	0.9685 24.6	0.9685 24.6	5/8-11	7,867 35.00	5,330 23.71	HC 210-30	TB 210	7.5 3.4
HCTB 210-31	1 15/16														HC 210-31		
HCTB 210	50														HC 210		
HCTB 210-32	2														HC 210-32		
HCTB 211-32	2	2.500 63.5	5.51 140.0	4.09 104.0	2.60 66.0	0.98 25.0	0.55 14.0	4.92 125.0	2.8110 71.4	1.0906 27.7	1.0906 27.7	5/8-11	9,743 43.34	6,608 29.40	HC 211-32	TB 211	7.5 3.4
HCTB 211-34	2 1/8														HC 211-34		
HCTB 211	55														HC 211		
HCTB 211-35	2 3/16														HC 211-35		